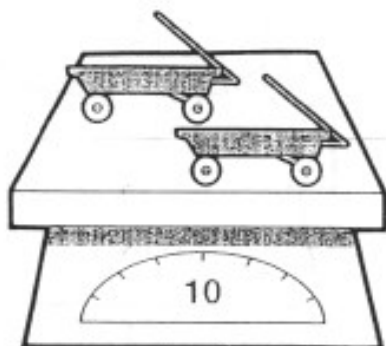
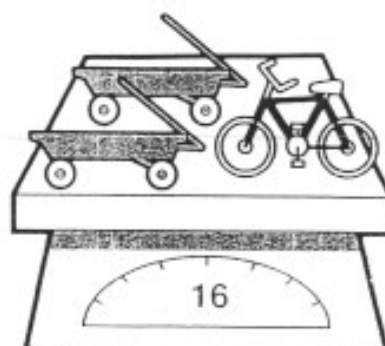


Weighing Objects 6

Same shapes weigh the same.




A



B

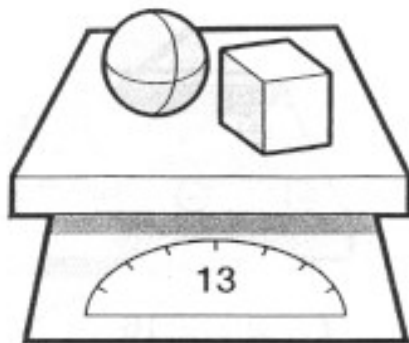
1.  weighs _____ pounds.

2.  weighs _____ pounds.

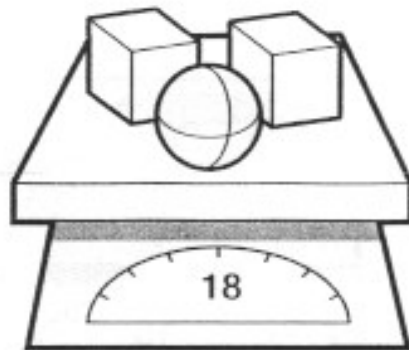
3. Write how you found the weight of . _____

Weighing Blocks 6

Same shapes weigh the same.



A



B

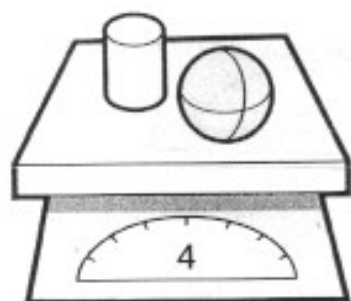
1.  weighs _____ pounds.

2.  weighs _____ pounds.

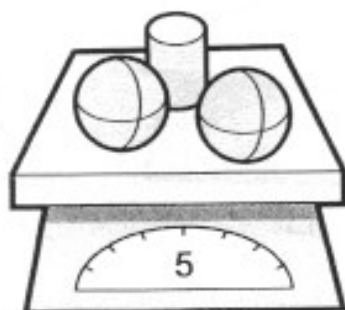
3. How did you find the weight of ? _____

Pounds and Pounds 6

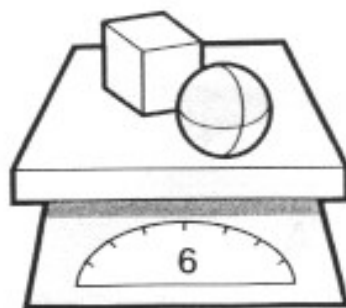
The scales show how much the blocks weigh.



A



B



C

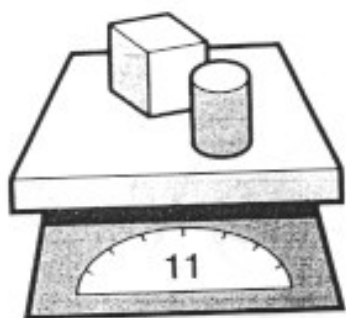
1.  = _____ pounds

2.  = _____ pounds

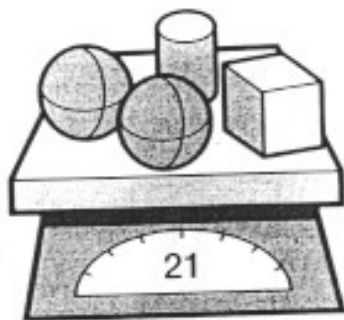
3.  = _____ pounds

4. Explain how you figured out the weights. _____

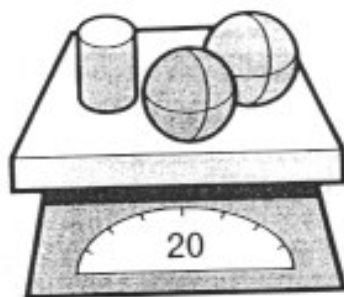
Weight Scales 6



A



B



C

1. Find the weight of each block.

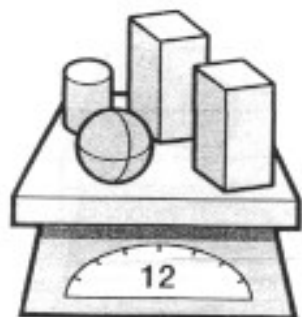
cylinder = _____ pounds

sphere = _____ pounds

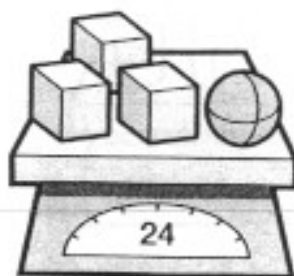
cube = _____ pound

2. Tell how you figured it out. _____

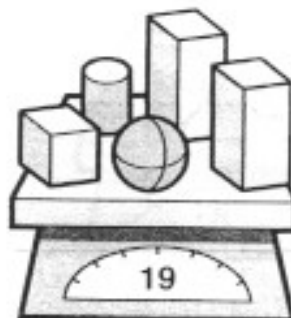
Weighing Blocks 6



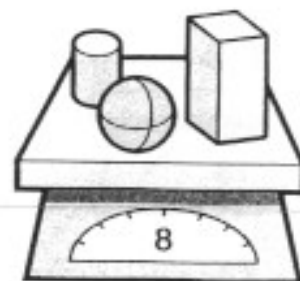
A



B



C



D

1. Find the weight of each block.

cylinder = _____ pound

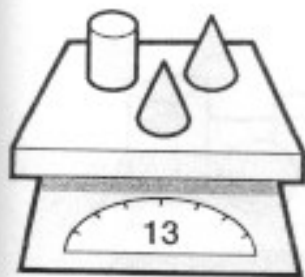
sphere = _____ pounds

prism = _____ pounds

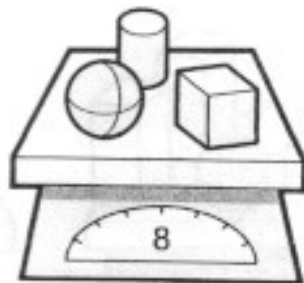
cube = _____ pounds

2. Tell how you figured it out. _____

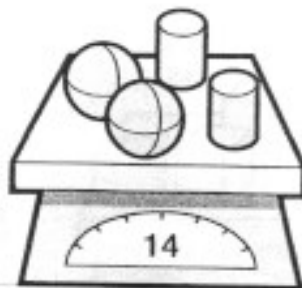
Unknown Weights 6



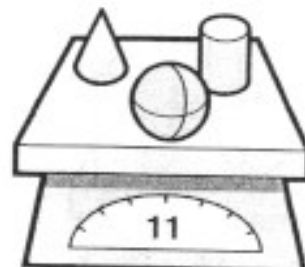
A



B



C



D

1. Find the weight of each block.

cylinder = _____ pounds

cube = _____ pound

sphere = _____ pounds

cone = _____ pounds

2. Tell how you figured it out. _____
