



## Aeron - Highly Adjustable Work Chair

### **Lumber latitude.**

The lumbar pad can be adjusted vertically through a 4-1/2" height range. Its depth can be set at 3/4" or 1-1/4".

### **A completely new suspension system.**

With its unique Pellicle material, the Aeron chair distributes weight evenly over the seat and back, conforming to each person's shape. The material also lets air pass through, adding to long-term comfort by preventing bodyheat buildup.

### **Very low to very high.**

With its two-stage pneumatic lift, the Aeron chair has an unprecedented seat-height range.

### **Tension: the good kind.**

The tilt-tension adjustment lets the user easily control the resistance felt when leaning back.

### **Onward and Forward.**

The forward-tilt adjustment positions the seat angle 5 degrees forward, a posture favored by many computer users.



### **The arms have it.**

Chair arms have never before been this adjustable independently, armrests pivot inward for keying and outward for mousing. Arm height adjusts independently.

### **Limits without Locks.**

The tilt limiter allows the user to control the tilt range without being locked in a single position.

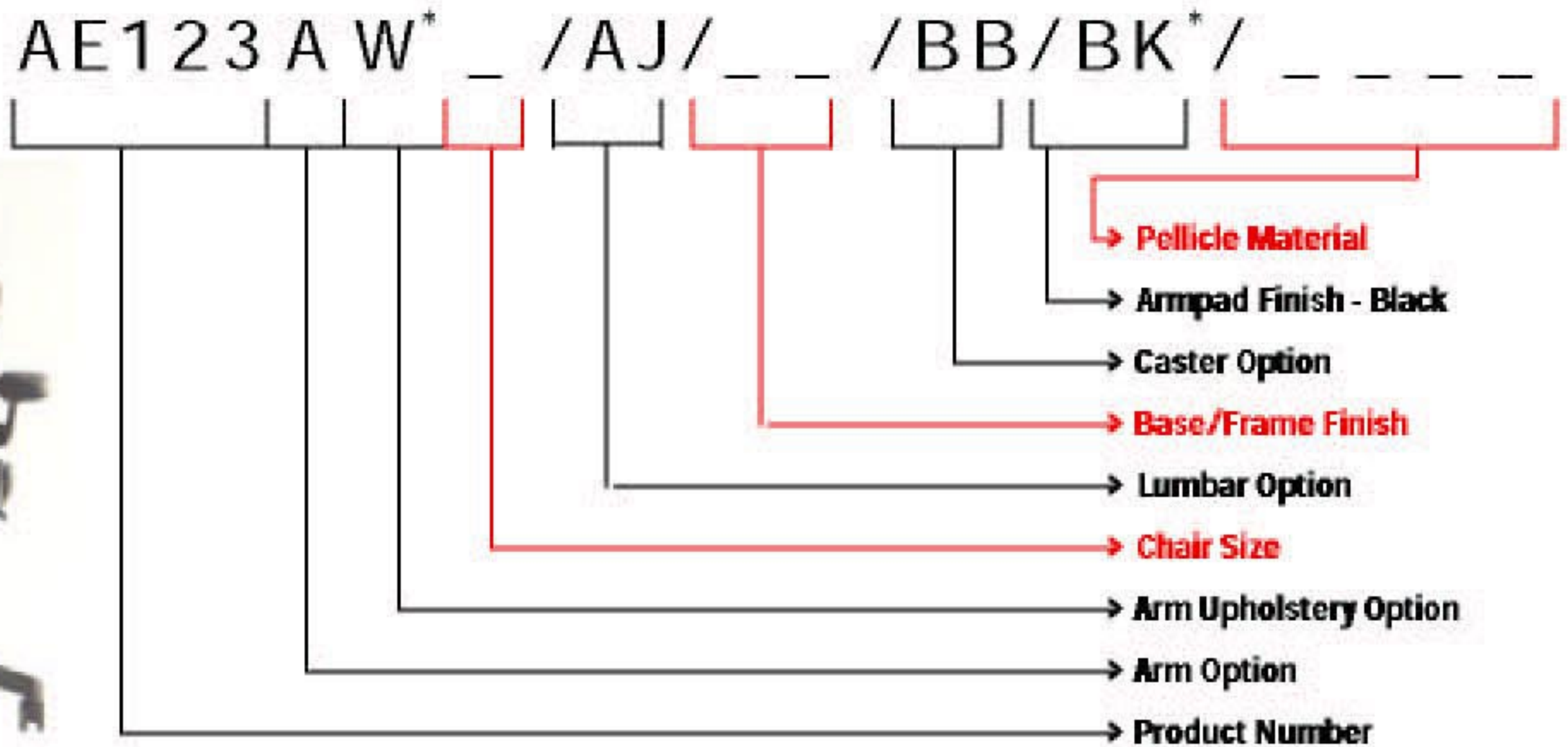
### **A Breakthrough in tilt dynamics.**

The Kinemat tilt mechanism allows the body to pivot naturally and simultaneously at the ankles, knees, and hips - providing a smooth ride and proper support from forward-leaning to reclining positions.

# Aeron - Highly Adjustable Work Chair

**Includes 2-stage pneumatic, tilt limiter and Seat angle**

**-Fully Adjustable Arms, Lumbar Support and 2-1/2" hard double wheel casters**



**Size Option:**

- A A-Size
- B B-Size
- C C-Size

**Base / Frame Option:**

- G1 Graphite
- M1 Mica

**Arm Upholstery Option:**

- W Nonupholstered Armpads
- F\* Fabric Armpads

**\*\$25.00 Upcharge against list price**  
 (Please see binder for upholstery options)

**Pellicle Option:**

- 3D01 Carbon
- 3D02 Lead
- 3D03 Nickel
- 3D04 Soapstone
- 3D05 Garnet
- 3D06 Cobalt
- 3D07 Tourmaline
- 3D10 Amethyst
- 3D11 Sapphire
- 3D12 Jade

**Attn: Rick Bryant**  
**800-828-9482**  
**614-262-5010**

**Continental Office Furniture**  
**2601 Silver Drive**  
**Columbus, OH 43211**

**Vendor Code #:**  
**V314413238-P**

This price is for BGSU and has been negotiated through the Inter-University Council of Ohio.